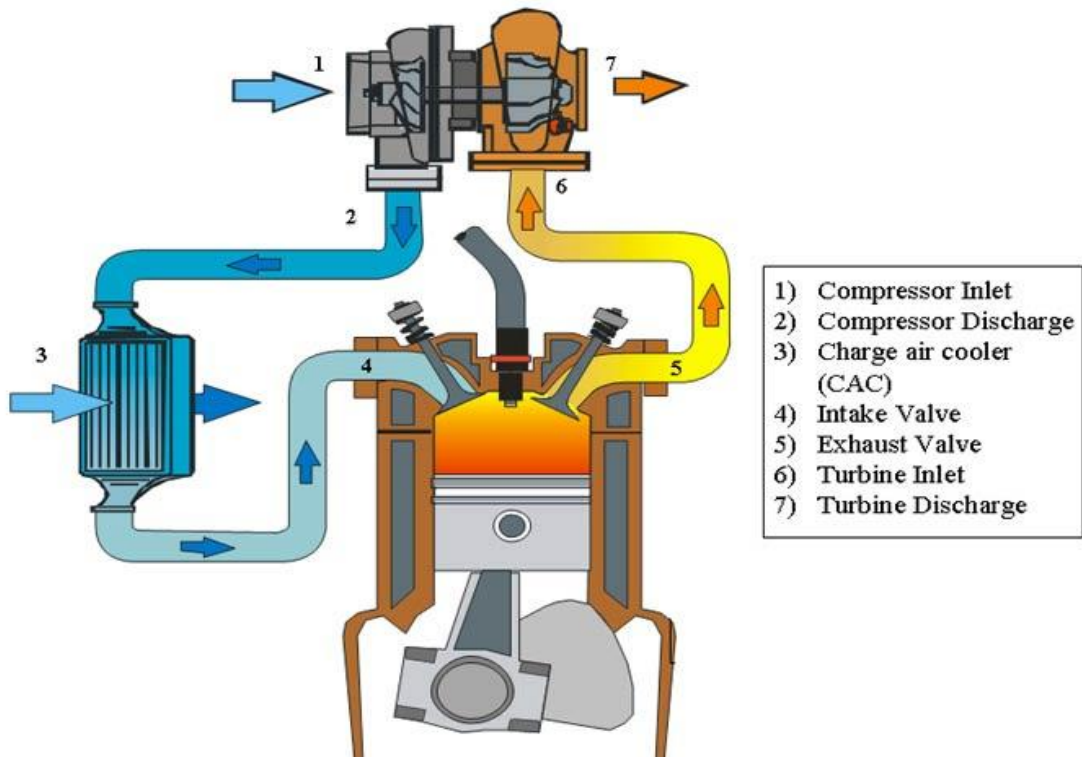
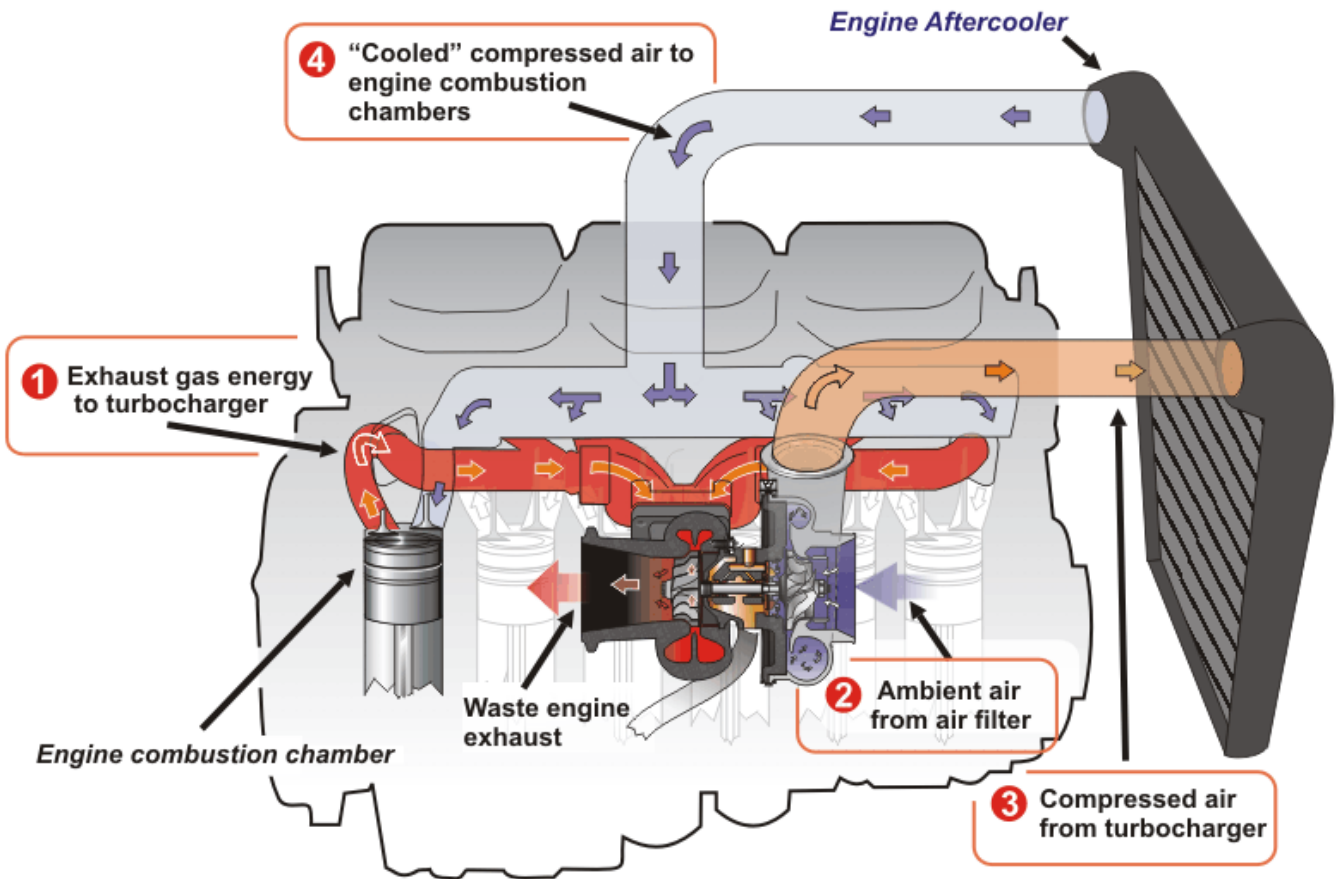




TURBOCHARGER FAILURE

DUST ENTRY

Typical Commercial Diesel Turbocharged Engine System



FAILURE DUE TO DUST ENTRY IN COMPRESSOR SIDE



Compressor wheel damage is caused by dust entry into the compressor housing air entry area of the turbocharger.

Dust entry corrodes the compressor wheel resulting in low pressure, noise, lack of power and turbocharger failure.



Causes of dust entry damage :

- Damaged, Chocked, poor quality or missing air filter.
- Damaged / Distorted hoses allowing unfiltered air to enter into the air intake system.
- Ruptured air filter due to external particle entry.
- Incorrect cleaning of filters resulting in rupture of air filter element.
- Improper fitment of air filters after cleaning / replacement.
- Extended usage of air filters beyond the recommended interval for replacement.
- Damaged air filter assembly housing



Preventing external particle entry failure :

- ✓ Check and ensure all air hoses are in good condition and free from damages / cuts / distortions or Opening.
- ✓ Always use new gaskets / 'O' Rings / Seals of good quality to create perfect seals.
- ✓ Always use genuine and high quality air filter and fit them correct.
- ✓ Replace air filters regularly and at the recommended interval.
- ✓ Clean the air filter regularly and in the right procedure.
- ✓ Check and ensure all clamps / joints are sealed tight and with proper torque.





Service Centers:

Palakkad
17/550(9),KTV Tower,
West Fort Road, Palakkad – 678 001
Phone : 0491 – 3260808, 3208000

Kochi
40/618, Bhagavathy Parambil Building,
Near Federal Bank, Palarivattom, Kochi – 682 025
Phone : 0848 -3114333

Kozhikode
3/165-A,Nano Building,
Major Santhosh Road, Behind Co-Op Urban Bank,
Vandipetta, West Nadakkavu, Kozhikode – 673 011
Phone : 0495 3104333

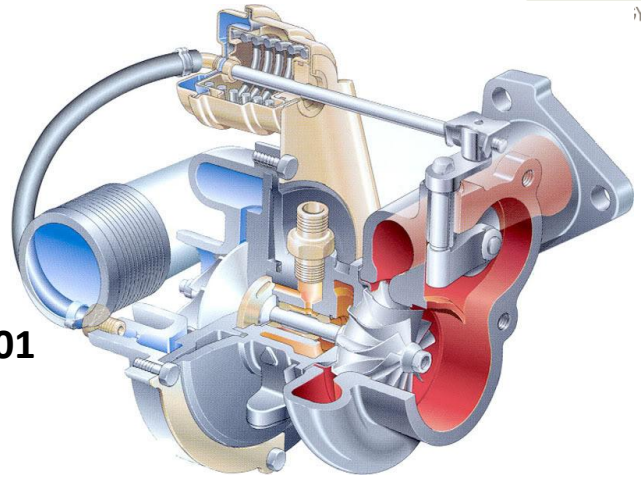
Collection Centers:

Kannur
EP III/178, EVES Arcade,
Opposite Technical High School, Thottada, Kannur – 670 007
Phone : 0497 – 3268785

Thiruvananthapuram
TC 36/1090(9), Narayan Nilayam,
Eanchakkal Junction, Vallakadavu P.O., Thiruvananthapuram – 695 008
Phone : 0471 – 3198785

Service Helpline : +91 491 3208000
Technical Assistance : +91 93491 27136

Website : www.paramountautozone.com
www.paramountgrp.net



Paramount auto **zone**

ISO 9001:2008 Certified Company



Come to us for a cleaner and greener road to the future..